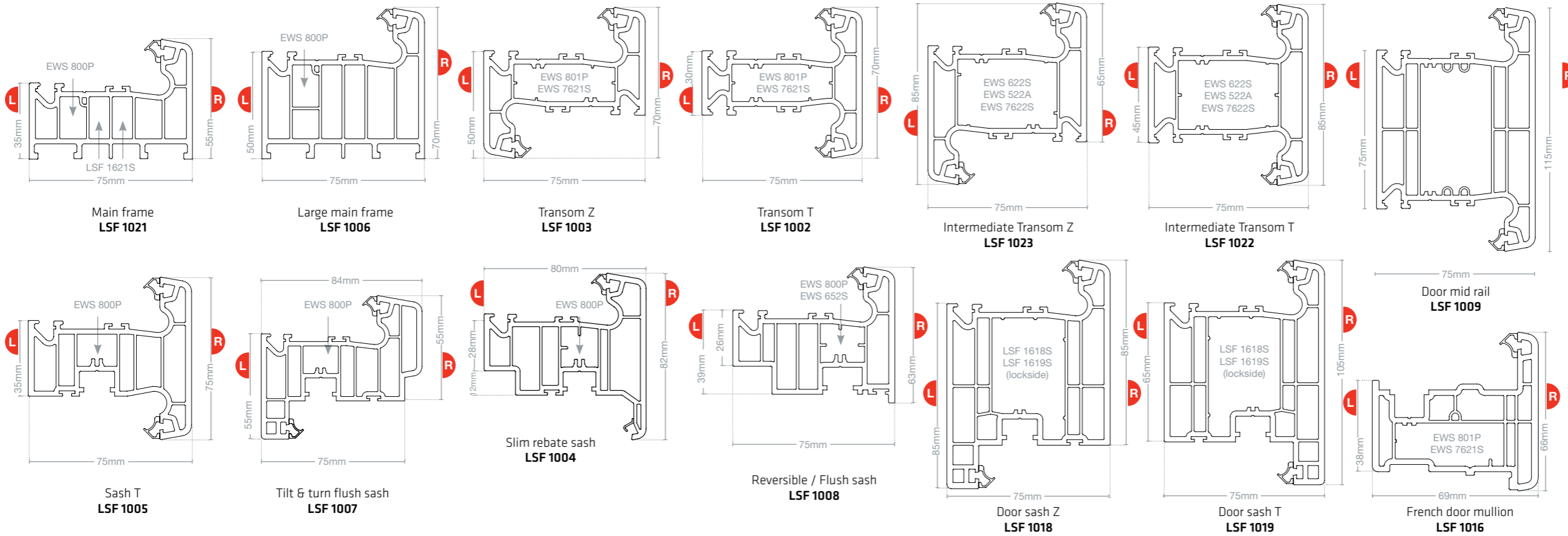


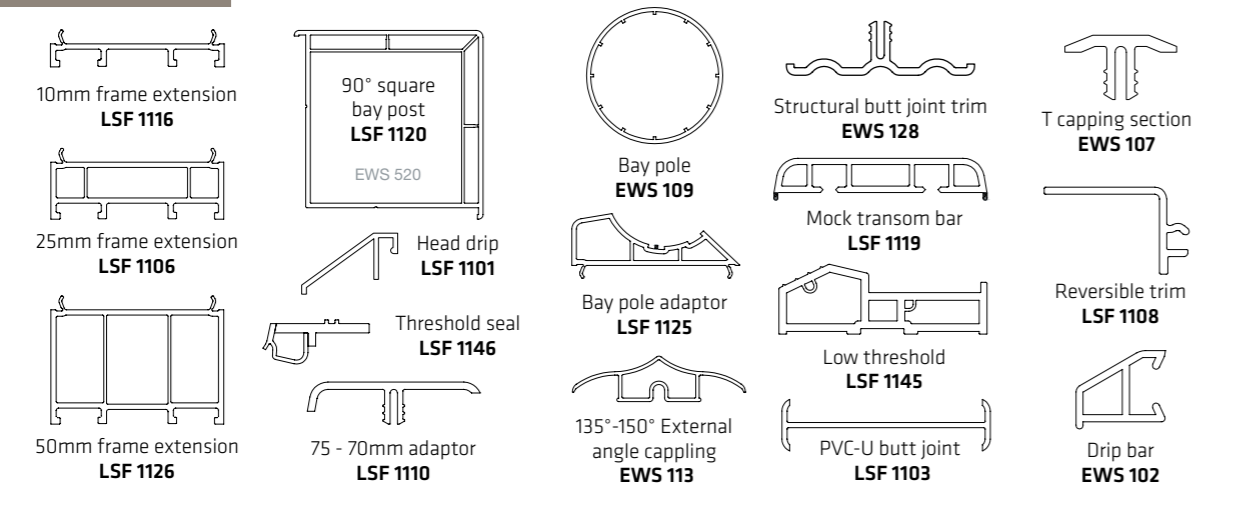
## Main profiles



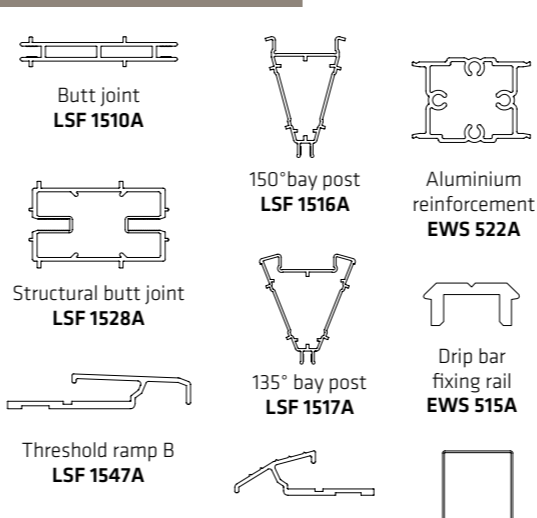
## Beads



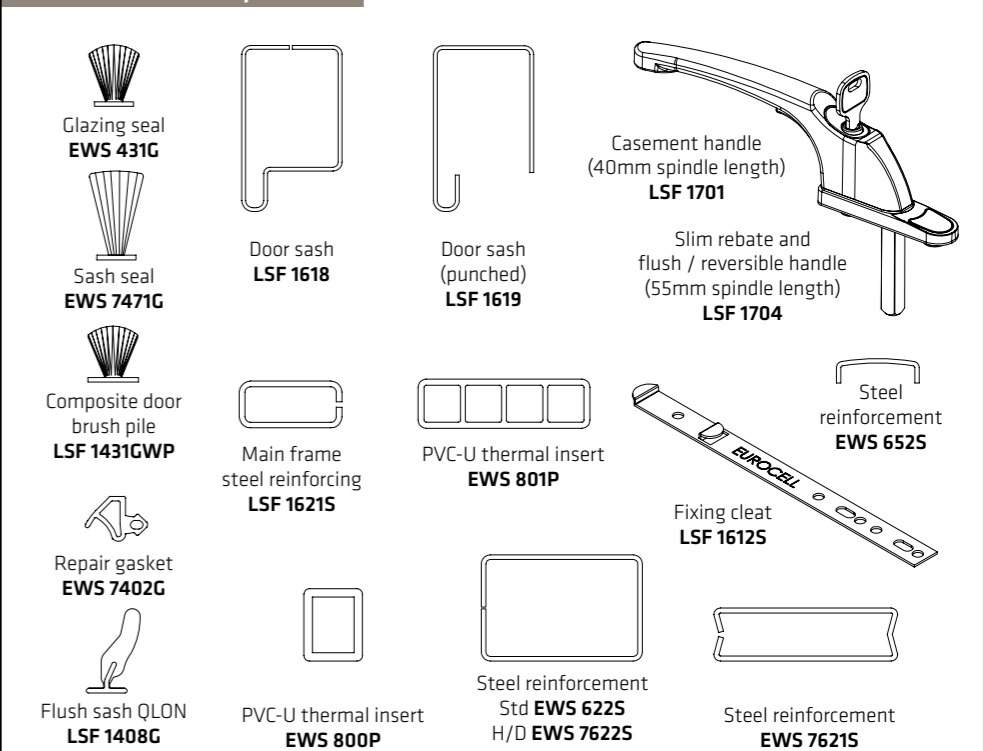
## PVC-U ancillaries



## Aluminium extrusions



## Miscellaneous components



## PVC-U mouldings

