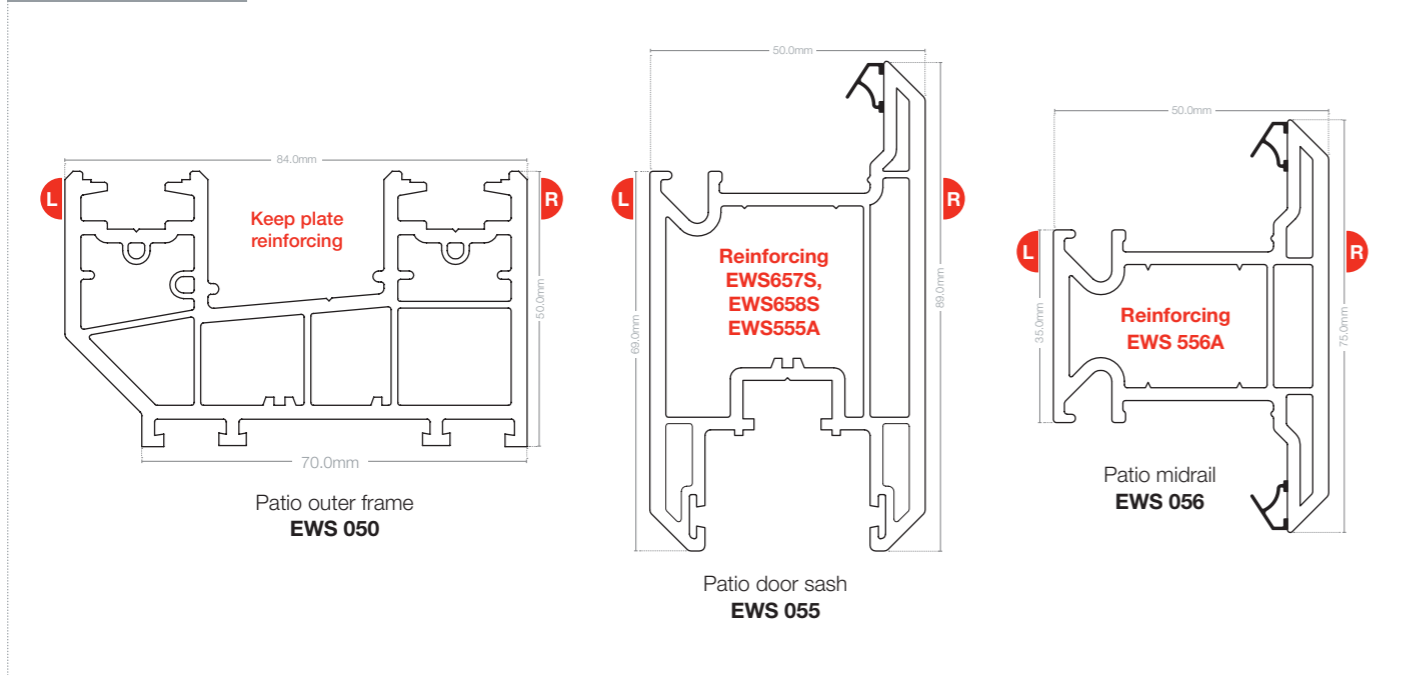
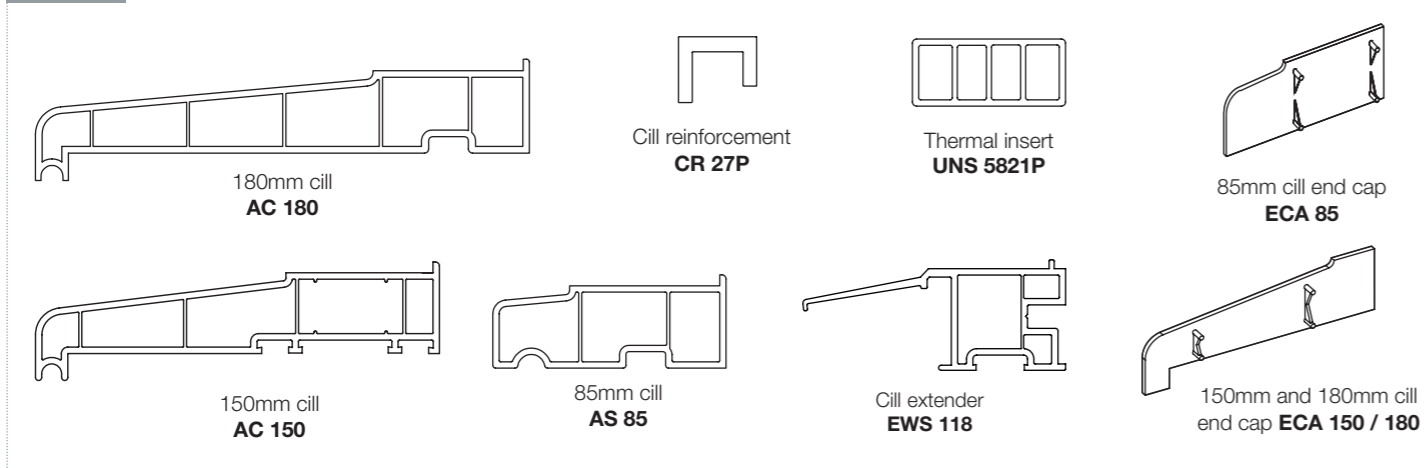


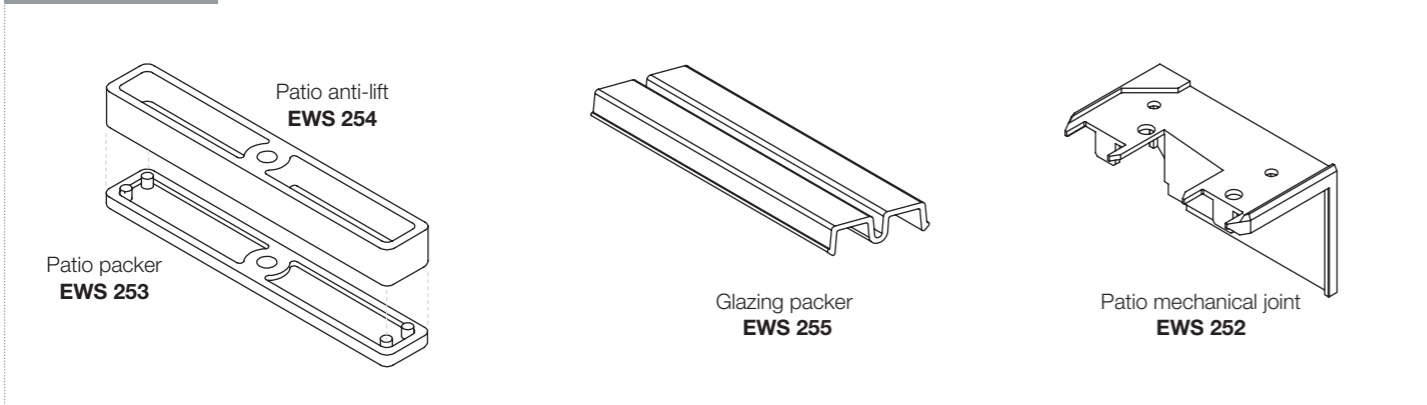
MAIN PROFILES



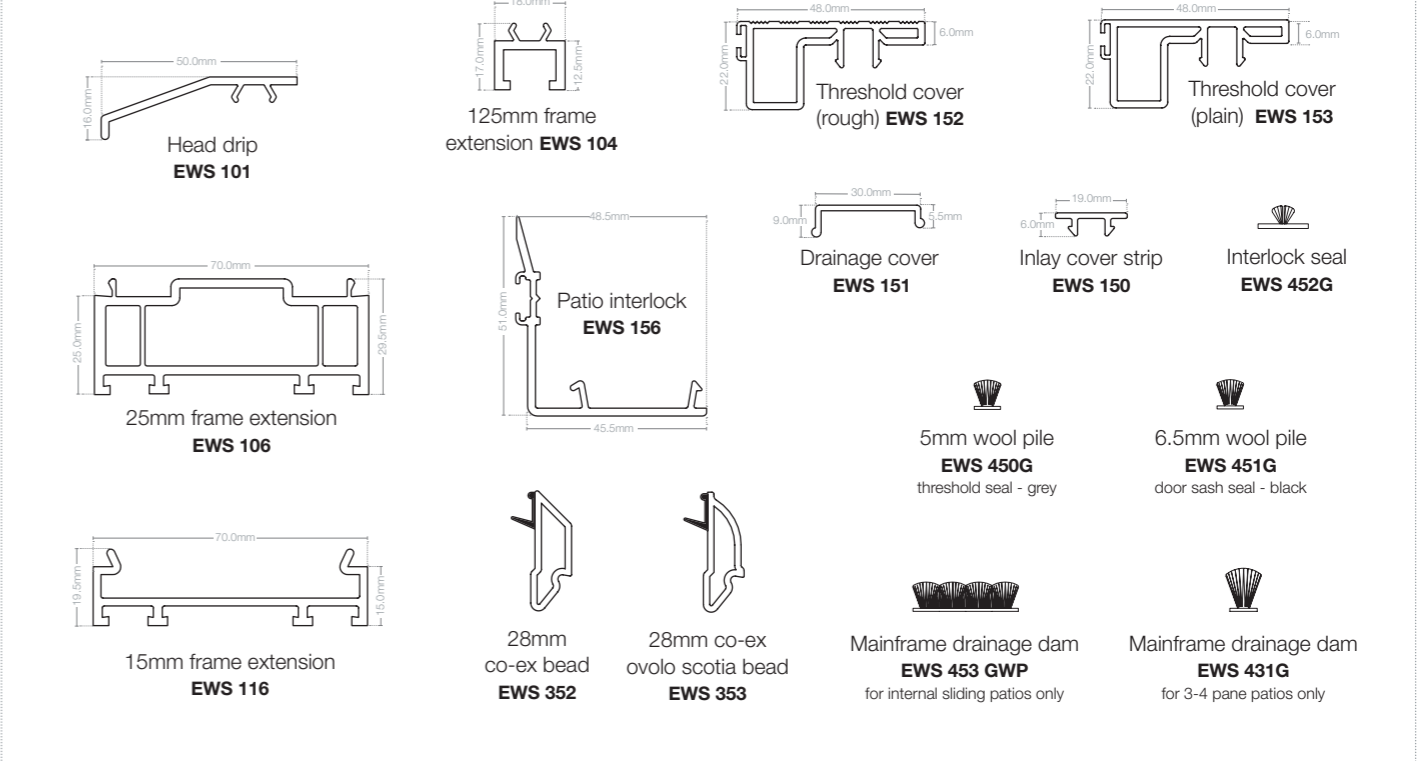
CILLS



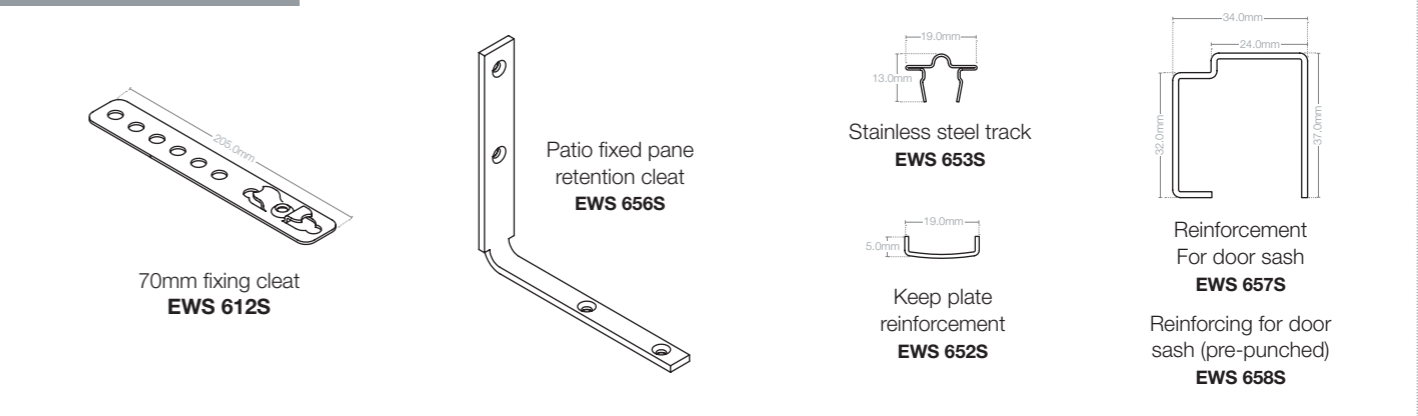
MOULDINGS



ANCILLARIES, BEADS & WOOL



STEEL COMPONENTS



ALUMINIUM COMPONENTS

