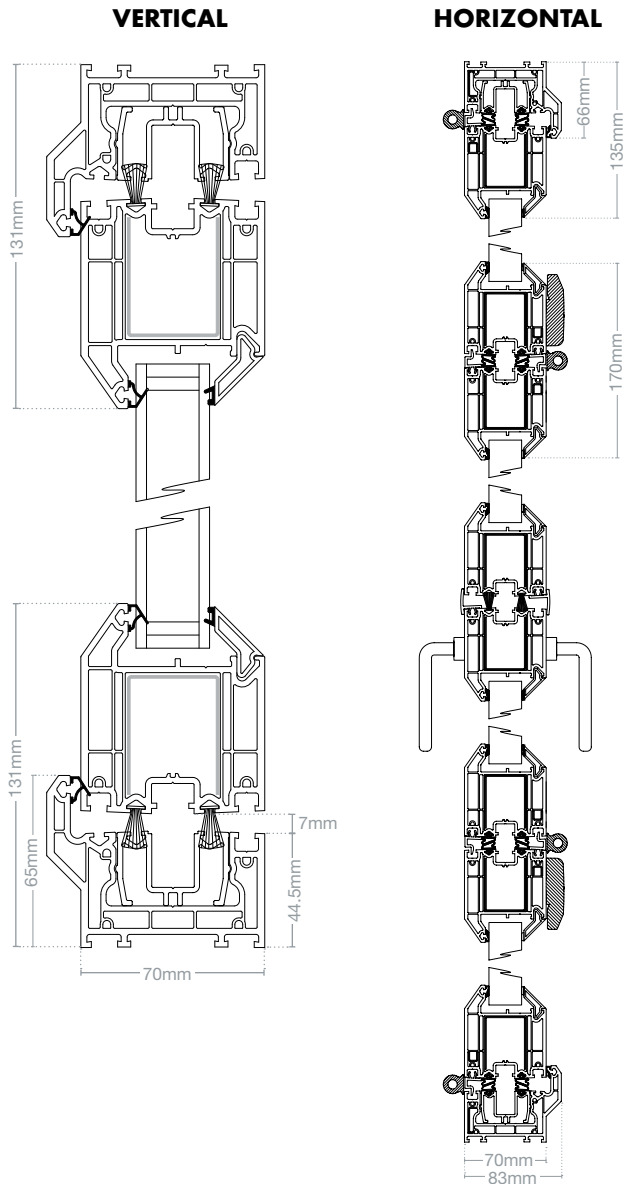


Product specification Aspect bi-fold doors



4-2-2 CONFIGURATION DOUBLE GLAZED

Profiles

- Eurocell **aspect** profile system

Reinforcements available

- PVC-U Thermal Inserts
- Steel (shown)
- Aluminium

Cill options

Standard: 85mm, 150mm and 180mm

System accreditations

- Eurocell **aspect** profile system is BBA certified
- PAS 23 /24
- BS6375-1:2009

Thermal performance

U-VALUES
AS LOW AS

1.3

DOUBLE GLAZED

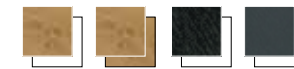
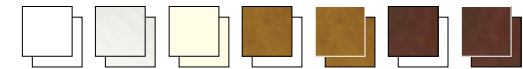
U-VALUES
AS LOW AS

0.9

TRIPLE GLAZED

Colour options

Profile colours



Non-standard options

Eurocell profiles are available in any colour from our made-to-order range. These are available on a three-week lead-time.

Hardware colours



Min / max sizes

If the doors are to be manufactured are outside these sizes, please consult Eurocell's technical department.

System	Width (mm)	Height (mm)
Aspect bi-fold doors	Max: 6000 Min: 1200	Max: 2300 Min: 1800

**EUROCELL
ACCREDITATIONS**



BS EN ISO 9001:2008



Member



Partner