

Weightanka®

A KEE SAFETY PRODUCT

SAFETY AT THE HIGHEST LEVEL

KEE Systems

The Safety Solution for a Portable Deadweight Anchor



- CONFORMS TO CLASS E EN 795, BS 7883 & ISO 14567
- CE APPROVED TO PPE DIRECTIVE
- GALVANISED TO BS EN 1461
- DOES NOT PENETRATE THE ROOF SURFACE

CE 0194

committed to
CSCS



CERTIFICATE No. 63000188



CERTIFICATE No. 53100188



REGISTERED CERTIFICATE No. 931861

Deadweight Anchor

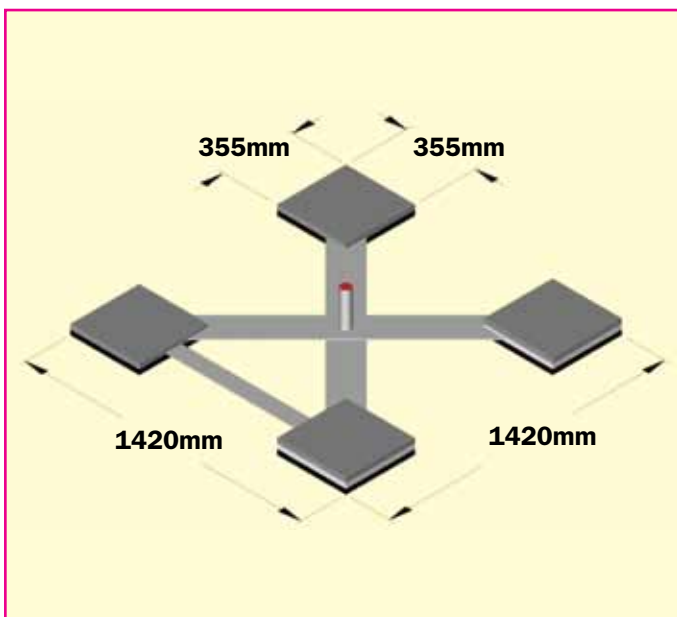
WEIGHTANKA is a mobile, deadweight anchor device for use on roofs of up to 5 degrees pitch, where the absence of guardrails or permanent anchor devices would otherwise preclude safe means of access.

WEIGHTANKA is the first Class 'E' anchor device to be approved for use on all roof surfaces when wet and also for use downhill on metal clad roofs (subject to the addition of two extra weights).

WEIGHTANKA utilises a central pedestal (attachment point) which raises the height at which the arrest force is applied, thus reducing the distance the anchor device moves during a fall arrest event.

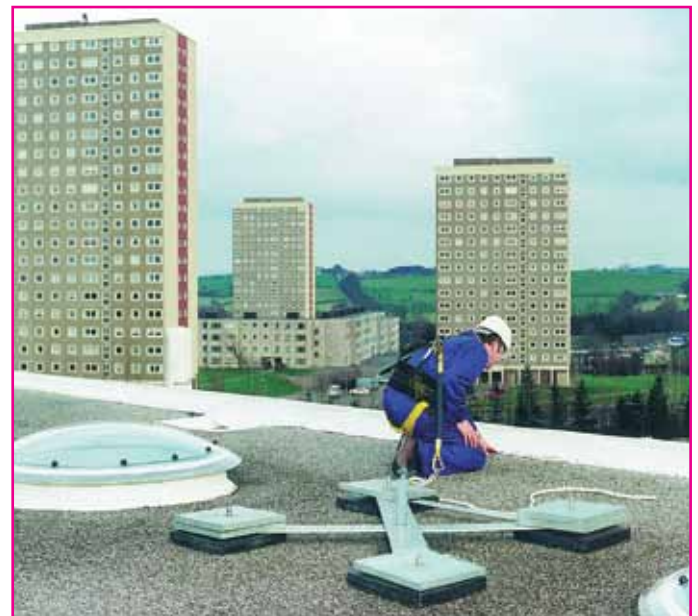
A basic system weighs only 250Kg and uses individual, smaller components, with no single item weighing more than 25Kg. The modular construction makes it a very practical and convenient option, easy to lift and carry to and from the point of use.

Features



- Does not penetrate the roof surface
- Base layer weights fully encased in rubber moulding
- Raised central pedestal reduces the distance of travel during a fall arrest event
- Galvanised to BS EN ISO 1461
- Conforms to CLASS E EN 795, BS 7883 & ISO 14567
- CE Approved to PPE Directive

Benefits



- System for up to two users for restraint
- Rubber moulded base layer weights prevent rubber pads 'peeling' at the edges
- With the correct model it can be used on any of the following roof surfaces in WET or DRY conditions:

Single Ply Membrane	Asphalt
Steel Cladding	Concrete
Stone Chippings (Brushed)	Mineral Felt
- Can be used on roofs up to 5° pitch



Kee Systems Limited
Thornsett Works
Thornsett Road
London
SW18 4EW

Tel: 020 8874 6566
Fax: 020 8874 5726

Email: sales@keesystems.com
www.keesystems.com