

**HIGH PERFORMANCE ANTISLIP ANTIWEAR  
CAST METAL STAIR NOSING**



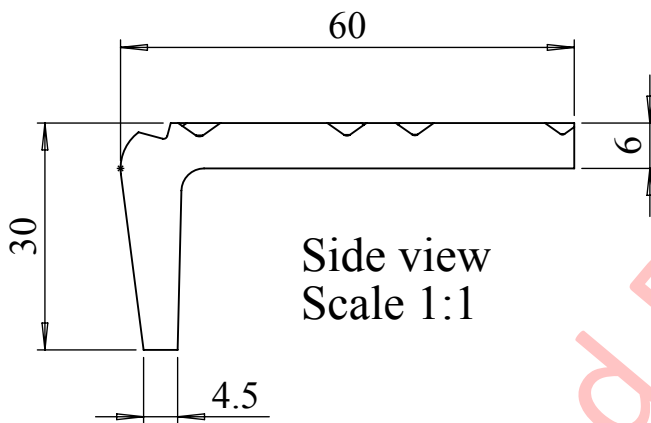
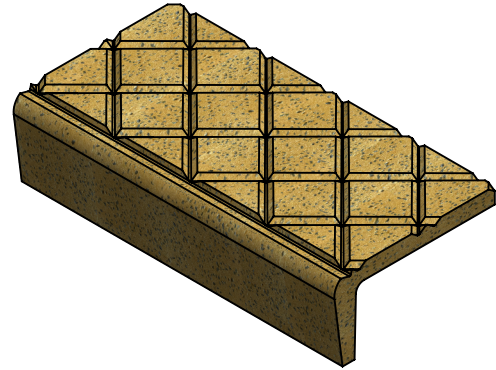
DATA SHEET: SN30/60®	
DATE: July 2015	ISSUE: 3
ITEM: Stair Nosing	

**Item:** AATi™ type SN30/60® - HDLT™ stair nosing with silicon carbide granules cast into the metal matrix of the wearing surface.

**Application:** Whilst specifically designed around the physical requirements of the British Standard - BS 8300:2009, this stair nosing is suitable for many different applications and exhibits the same longevity and hard wearing/heavy duty characteristics as our larger profile nosings.

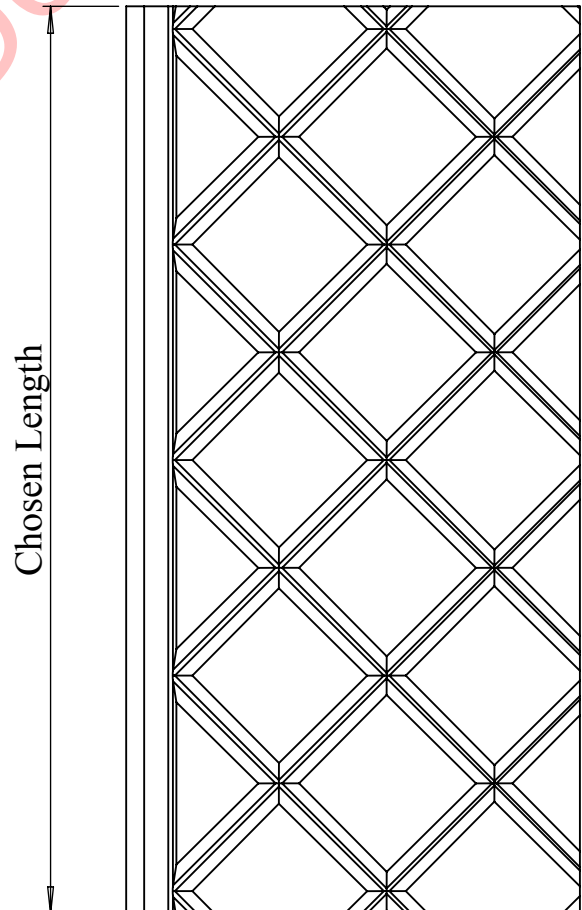
**Materials:** Nickel Bronze, Gunmetal, Aluminium & Cast Iron.

**HDLT™ :** This is a registered design- Protected by European Registered Design No. 002178178-0001.



Side view  
Scale 1:1

Plan view scale 1:1



Special attention should be given to installation & drainage of this product. For further advice please speak to a member of AATi's technical department.  
Dimensions shown are nominal and subject to AATi manufacturing tolerances.