

**HIGH PERFORMANCE ANTISLIP ANTIWEAR  
CAST METAL STAIR NOSING**



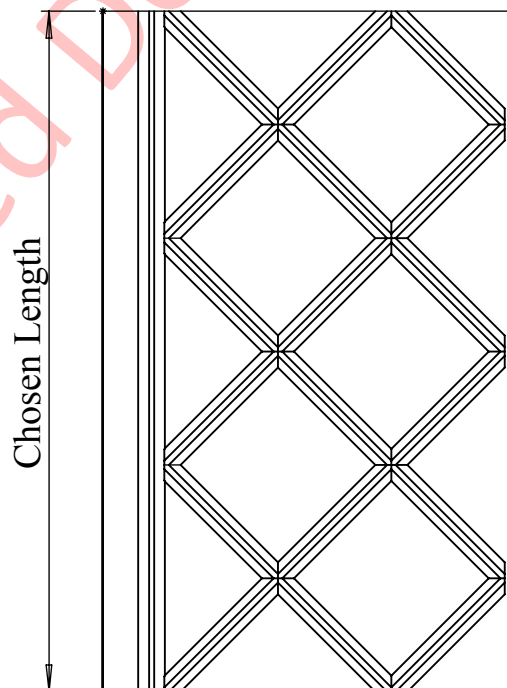
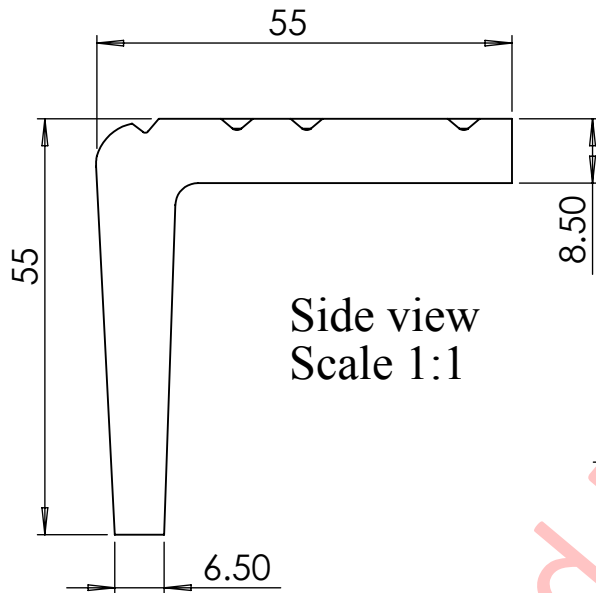
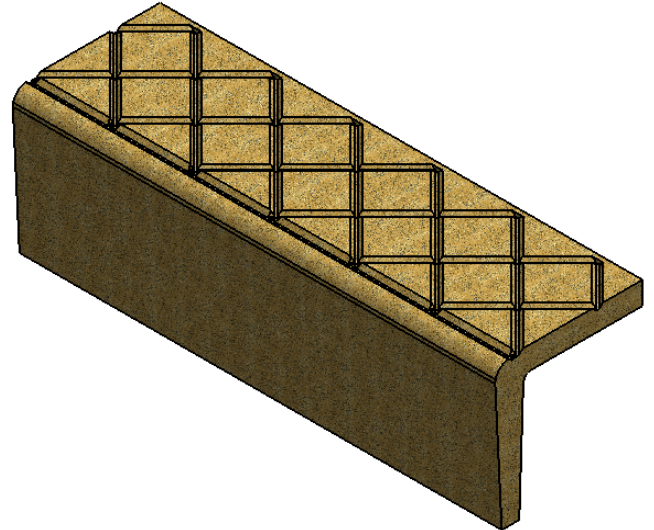
DATA SHEET:	SN9/55®	
DATE:	Oct 2013	ISSUE: 2
ITEM:	Stair Nosing	

**Item:** AATi™ type SN9/55® - HDLT™ stair nosing with silicon carbide granules cast into the metal matrix of the wearing surface.

**Application:** Whilst specifically designed around the physical requirements of the DDA, this stair nosing is suitable for many different applications and exhibits the same longevity and hard wearing/heavy duty characteristics as our larger profile nosings.

**Materials:** Nickel Bronze, Gunmetal, Aluminium & Cast Iron.

**HDLT™ :** This is a registered design- Protected by European Registered Design No. 002178178-0001.



Plan view  
Scale 1:1

Special attention should be given to installation & drainage of this product. For further advice please speak to a member of AATi's technical department.  
Dimensions shown are nominal and subject to AATi manufacturing tolerances.