

Stainless steel floor access covers for hard finishes

Features

- Covers can be fitted quickly and unobtrusively into all types of hard floor finish: ceramic tiles, marble, terrazzo, resin or parquet.
- Cover sections are tapered for easy removal, and are precision-made to avoid distortion.
- Double seals are available.
- Lifting blocks are anchored to the inner frame. Stainless steel securing bolts are stiletto heel proof.
- Quality control to BS EN ISO 9001.

General notes on 7500 series floor access covers

Size – All covers are made to measure. This allows the manufacture of any size between the stated maximum and minimum dimensions. Sizes that may be thought 'non-standard' can therefore be obtained without delay and without cost surcharge. The versatile nature of the Howe Green system allows any configuration of ducts and branches to be created.

Weight – The weight of the access cover should be taken into account where ease of handling is an important consideration. In all cases reference should be made to the Manual Handling Operations Regulations 1992, which implement European Directive 90/269/EEC. If loads are excessive, consideration should be given to the use of hydraulic lifters, or our HSE 75 range.

Where large covers are necessary, over pits containing plant etc., the main covers can be fitted with small inset covers to allow easy access for routine maintenance. The main covers need then only be removed for major overhauls or plant replacement.



7500 Series Stainless Steel Single Cover

floor access covers for cars and light delivery vehicles

Typical floor finishes

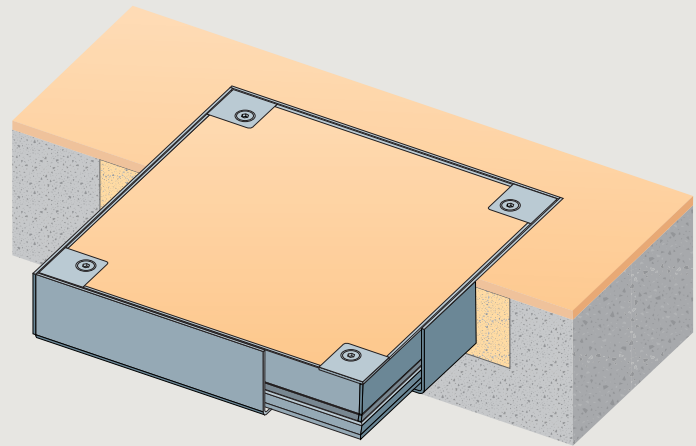
Ceramic tiles, marble, terrazzo, concrete, resin, wood and all hard floors.

Performance

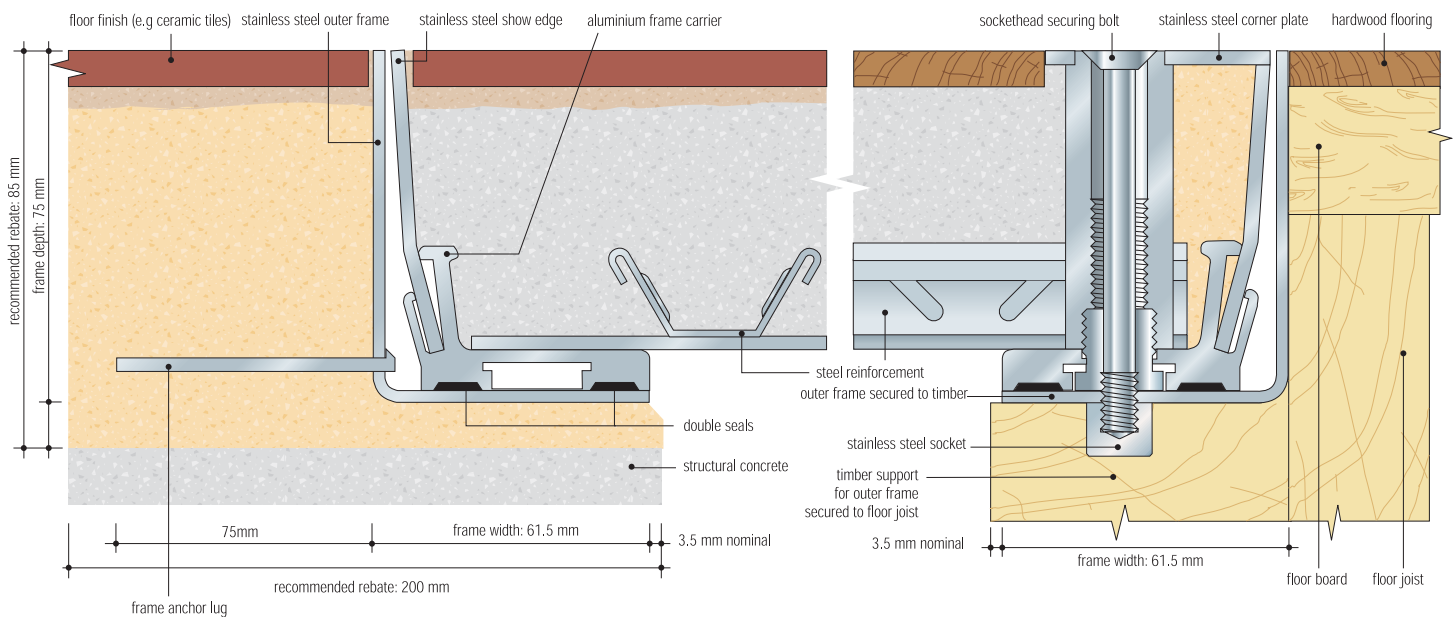
Up to 5 tonne pneumatic tyre wheel load (cars and light delivery vehicles).

Options

Double seal. 3 hour fire rating to BS 476: Part 20: 1987 available; ask for indicative test report.
Inset lifting points.



Cross section showing concrete and timber sub-floors (scale 1:2)



Typical specification clause for 7500 series

Recessed floor access/ duct/ multipart* covers and frames shall be Howe Green Ltd 7500 series, stainless steel, with 3 hour fire rating to BS 476: Part 20: 1987*, stainless steel/steel* base plate and reinforcement, double sealed with socket head securing bolts/ unsealed with blanking bolts*. Sizes shall be as shown on contract drawings nos† Covers to be supplied complete with† sets of combined lifting/ securing keys. All to be manufactured and supplied by Howe Green Ltd, Marsh Lane, Ware, Hertfordshire, SG12 9QQ, Great Britain, and installed in accordance with the manufacturer's installation details and sitework guide.

* Delete as appropriate. † Insert appropriate numbers & quantities

Size

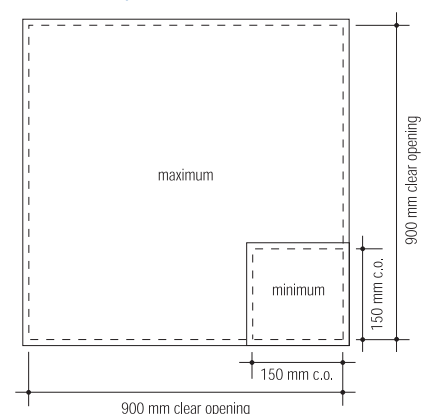
Overall frame size = clear opening + 130 mm e.g. 600 x 900 mm clear opening = 730 x 1030 mm overall frame. Subject to correct infill/installation (see separate guide).

See also general notes on cover.
Performance Note: Trucks with small wheels and solid tyres, such as pallet rollers, may limit sizes to less than the stated maximum span. Alternatively, greater spans may be used, but at reduced loadings.

Weight

A 7500 series cover when filled with concrete weighs approx. 155 kg/m². See also general notes on cover.

Maximum / minimum sizes



7500 Series Stainless Steel Duct Cover

floor access covers for cars and light delivery vehicles



Typical floor finishes

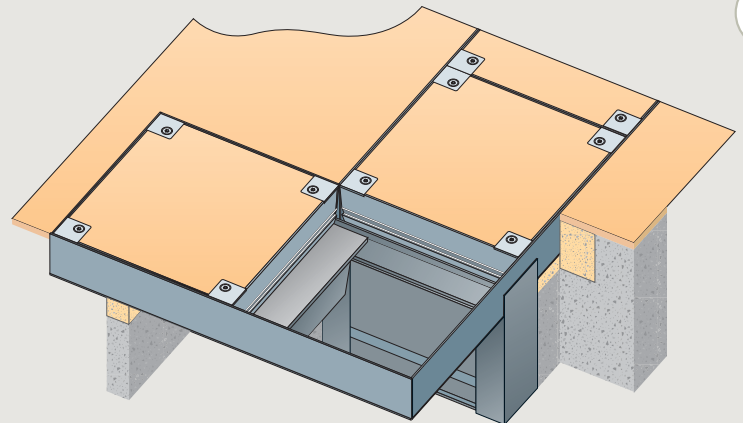
Ceramic tiles, marble, terrazzo, concrete, resin, wood and all hard floors.

Performance

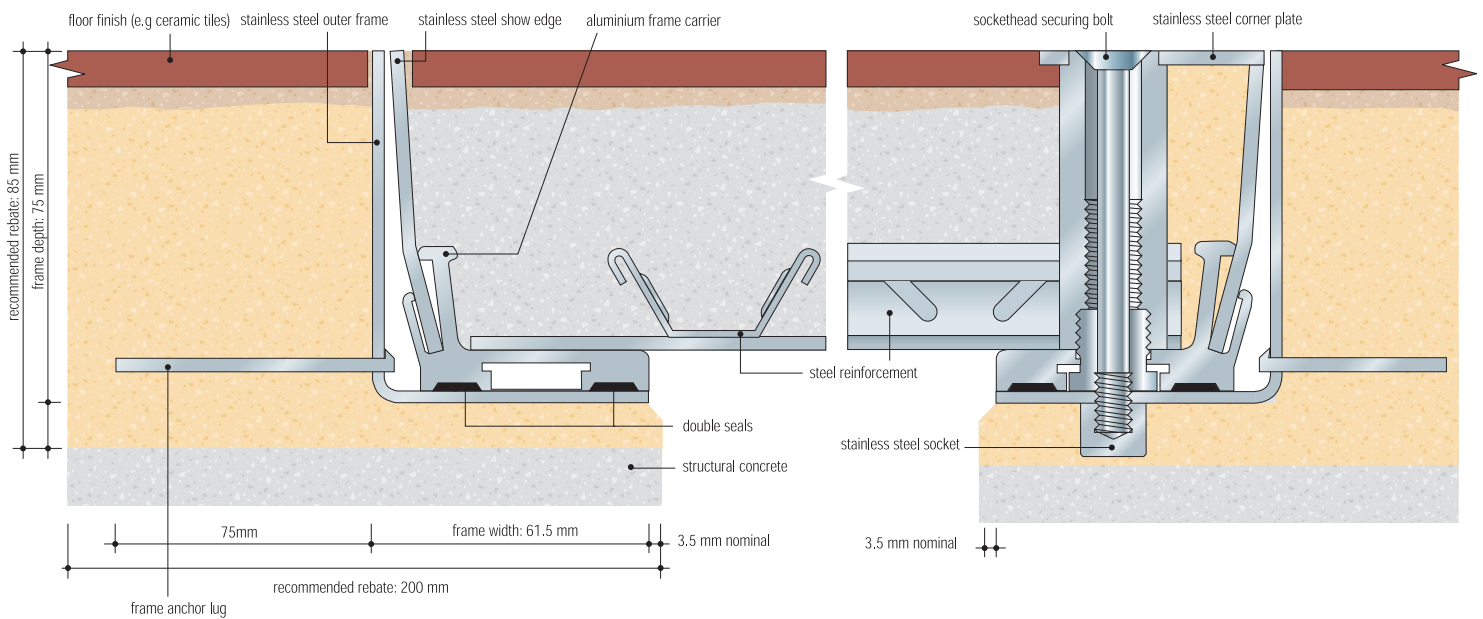
Up to 3 tonne pneumatic tyre wheel load (cars and light delivery vehicles).

Options

Double seal. 2 hour fire rating to BS 476: Part 20: 1987 available; ask for indicative test report.
Inset lifting points.



Cross section showing anchor lugs and locking/lifting detail (Scale 1:2)



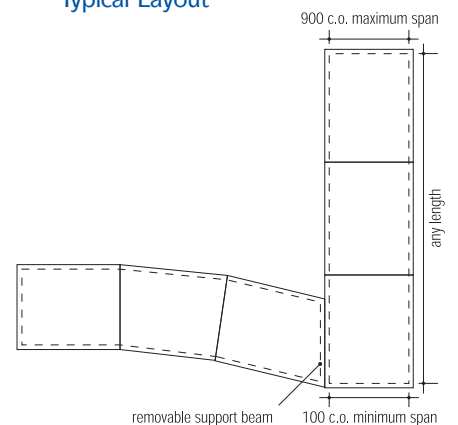
Size

Overall frame size = clear opening + 130 mm e.g. 550 mm clear opening = 680 mm overall frame width. Subject to correct infill/ installation (see separate guide). See also general notes on cover.

Weight

A 7500 series cover when filled with concrete weighs approx. 155 kg/m². See also general notes on cover.

Typical Layout





7500 Series Stainless Steel Multipart Cover

floor access covers for cars and light delivery vehicles

Typical floor finishes

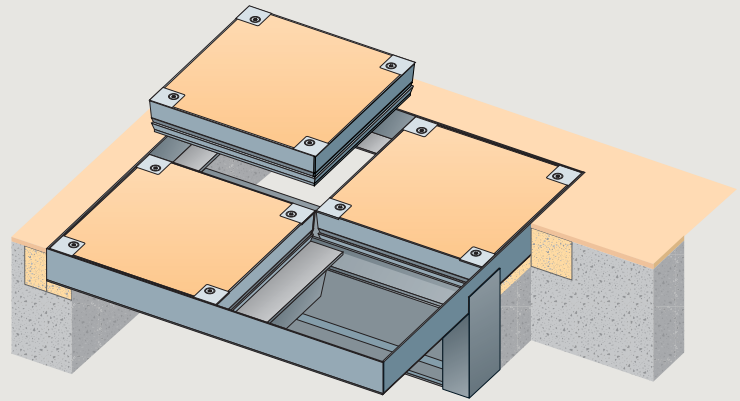
Ceramic tiles, marble, terrazzo, concrete, resin, wood and all hard floors.

Performance

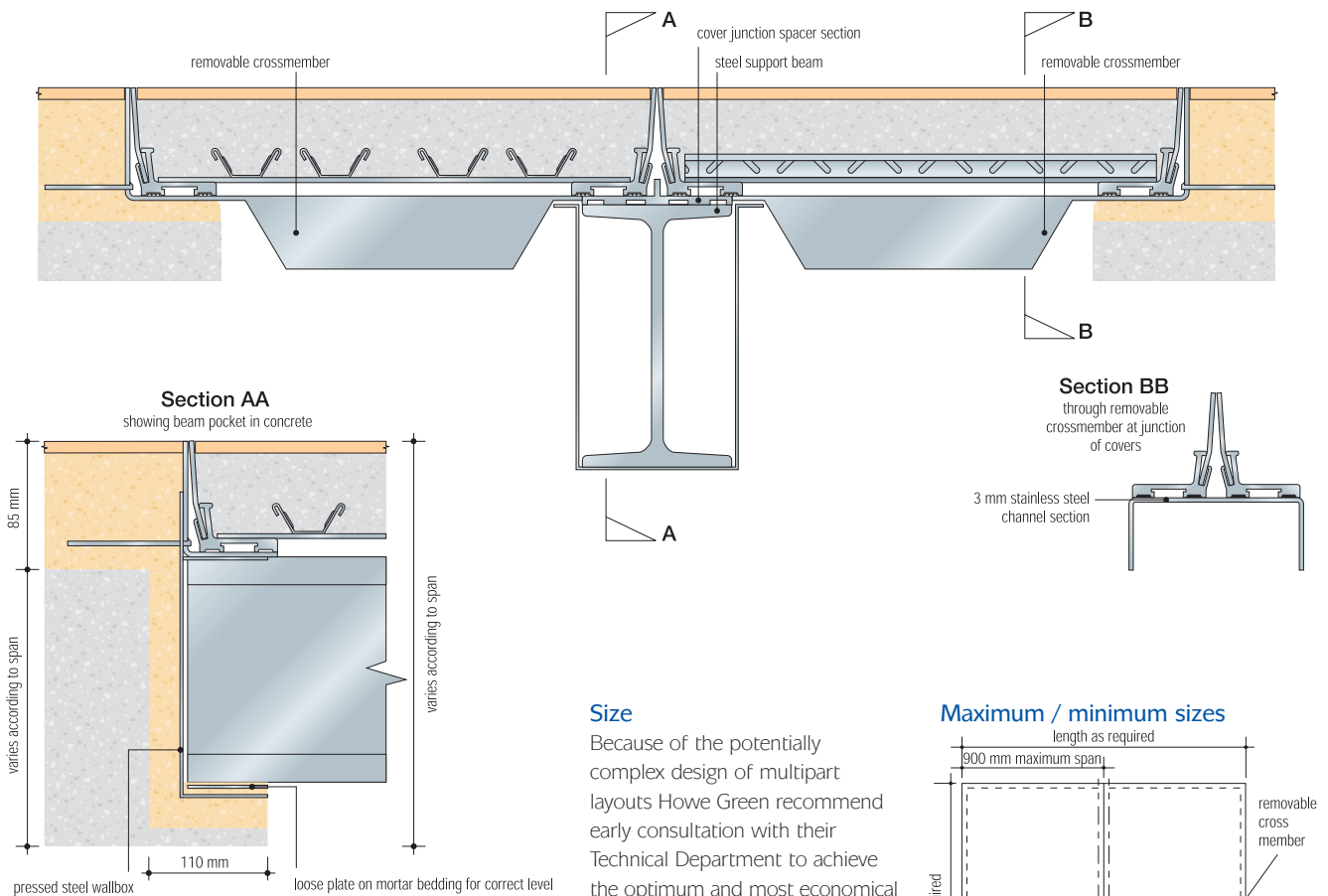
Up to 3 tonne pneumatic tyre wheel load (cars and light delivery vehicles).

Options

Double seal. 2 hour fire rating to BS 476: Part 20: 1987 available; ask for indicative test report.
Inset lifting points.



Cross section showing removable support beam and cross members (scale 1:5)



Size

Because of the potentially complex design of multipart layouts Howe Green recommend early consultation with their Technical Department to achieve the optimum and most economical layout for the given installation. See also general notes on cover.

Weight

A 7500 series cover when filled with concrete weighs approx. 155 kg/m². See also general notes on cover.

Maximum / minimum sizes

