

QUICK SLIDE

WINDOWS & DOORS



Sliding Sash Windows

Traditional Appearance,
Modern Design



Welcome

"Thank you for considering Quickslide for your PVCu **Sliding Sash Windows**.

In our state-of-the-art factory in West Yorkshire our experienced tradesman are proud to manufacture products second to none and supply direct to you. Our brochure gives you some examples of the amazing windows we produce and the detail we put into every one.

I hope you see something that will enhance your property, and remember we're always here to help."

Index

Why Choose Quickslide	4 - 5
Contemporary Classics	6 - 7
Efficiency at its Best	8 - 9
Performance	10 - 11
Secured by Design	12 - 15
Thermal Performance	16 - 17
A Window for Every Occasion	18 - 19
Unlimited Choice	20 - 21
A Touch of Glass	22 - 25
The Finishing Touches	26 - 27
Customer Service and Support	28 - 29



www.quickslide.co.uk

QUICK SLIDE

More than a decade ago Quickslide were pioneers in developing a window system that offered Sliding Sash Windows in PVCu. Now, nearly 500,000 windows on, the suite has evolved even further with improvements to aesthetics, security and energy performance.

Inspired by the original timber sash windows from the Georgian and Victorian period, today's modern PVCu sliding sash window is the product of years of design and engineering supported by passion for quality products "Made in Britain".

The Quickslide sash window range is designed and manufactured on a dedicated 100,000 ft site in Brighouse, West Yorkshire.



Made in Britain

Why Choose Quickslide?

Every single window is manufactured to the exact size, and colour combination you require. No set or standard sizes, just what you want, when you want it.

Online ordering facility allowing you to design and order your windows any time, any day. No salesmen, cold calling or waiting.

Our staff have been trained on every aspect of these products and are able to offer advice on specification, installation and configuration as well as answering any other queries you may have.

Our dedicated website is packed full of information. Try it for yourself – www.quickslide.co.uk



Registered through:

Glass and Glazing
Federation



Glass and Glazing Federation



BS EN ISO 9001:2000
FM 20651





Contemporary Classics

At Quickslide we have married the vintage charm of Sliding Sash Windows with quality hardware, including top-of-the-range operating mechanisms. Our hand-built PVCu windows are virtually indistinguishable from the timber windows they could be replacing, but don't just take our word for it.

Curves in all the Right Places

The sculpted system was created to give the window a finish and look of elegance rarely found with PVCu windows. These curves soften the appearance of the window giving an improved aesthetic finish.

The system also offers very slim profile sections; the jambs, sash sections and mid-rail were all designed to recreate the appearance of a traditional timber sash window but without the maintenance or cost.

Easy to Clean

Not only are the windows designed to look stunning but they are also practical and user friendly. The sliding sash windows are manufactured as standard with an inward opening tilt facility to allow cleaning of the glass and frame from inside the property.



win

B

C

Efficiency at its **Best**

Our sliding sash windows are amongst the most thermally efficient available in the UK today. 'B' rated as standard with 'A' rated options available, you can be sure that your new windows will help reduce your energy bills and offer a warm and cosy environment.

British Standards

Our sliding sash windows have gone through significant transformation over the last decade in a continuing effort to achieve improved thermal performance. Our sliding sash windows are tested in accordance with:-

- Air permeability** BS EN 1026:2000
- Watertightness** BS EN 1027:2000
- Wind resistance** BS EN 12211:2000
- Weather testing** BS EN 6375 Part 1:2009



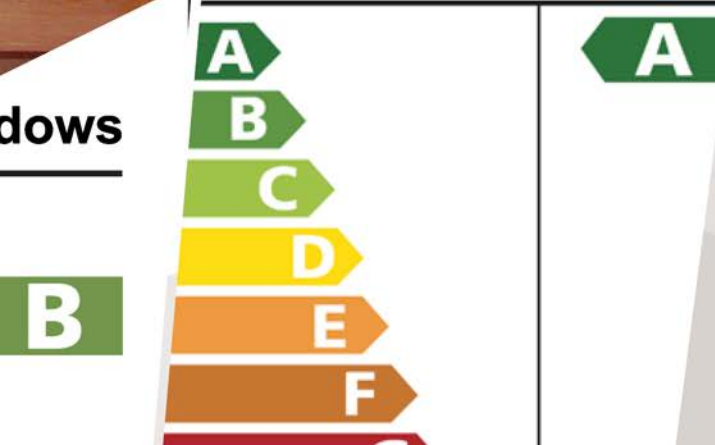
U-Values

The glass specification is the most significant component when affecting the windows overall thermal efficiency. Each sliding sash window is supplied as standard with 24mm Low E double glazed units incorporating Edgetech's Superspacer bar and manufactured in accordance with British Standards.

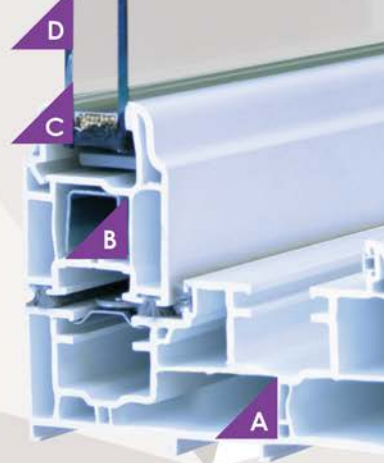
The glazing options available enable the overall window U-value to vary from 1.7W/m²K as standard to 1.4W/m²K by combining argon gas filling and soft-coat glass.



... Limited
... 566375
... Sliding Sash Windows



Windows
B



Performance with **Distinctive Looks**



A For Better Thermal Performance

Multiple chambers create additional 'barriers' which reduce energy loss through the frame and sash profiles.

B Galvanised Steel Reinforced Sashes

Reinforcement ensures that the sash profiles stay straight and true preventing bending and warping.

C Fully Concealed Gaskets and Weatherseals

Gives the window a clean look, as well as improving long term weathering and thermal efficiency.

D Internally Glazed Using 24mm Kitemarked Low E Glass Units

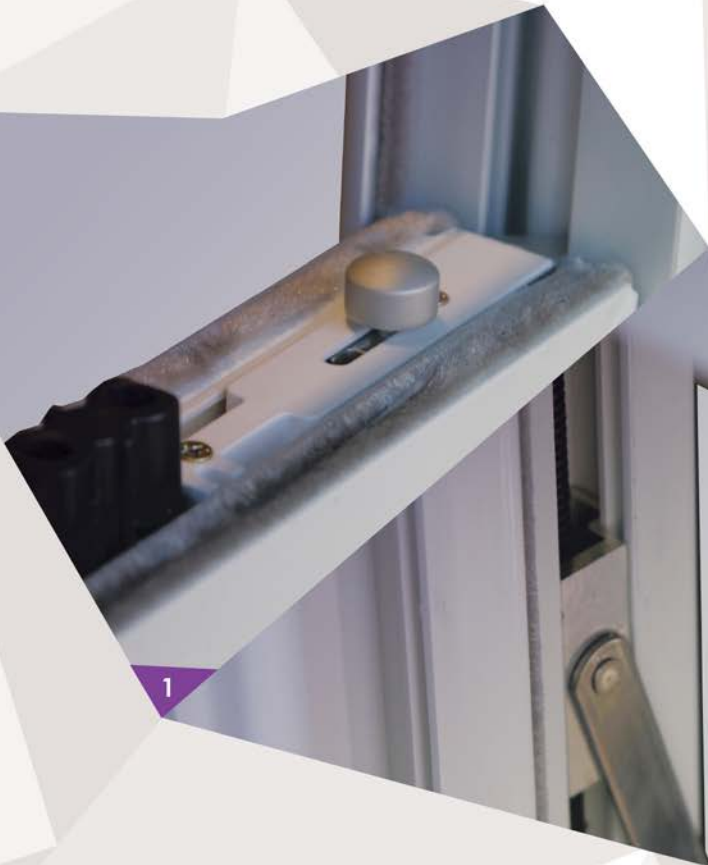
Our vertical sliding sash windows are enhanced through the use of 'Low E' glass which will retain heat and save on energy costs.

Secured by Design

Homeowners who would like energy efficient and authentic-looking sliding sash windows needn't compromise on security. As one of the UK's largest PVCu Sliding Sash Window manufacturers Quickslide is able to supply one of the most secure windows on the market.

Awarded the highly coveted 'Secured by Design' accreditation, devised by the Association of Chief Police Officers to focus on crime prevention of homes and commercial premises, Secured by Design promotes the use of security standards for a wide range of applications and products, including windows and doors.

12



Upgraded Features

- 1 Security blocks fitted to the top sash to stop lateral force being used to push the sash inwards.
- 2 Additional reinforcement in the outer frame channels to brace against lateral force.
- 3 Reinforced tilt latches to top and bottom sashes.
- 4 Upgraded locking catch fixed directly in to the steel reinforcement.
- 5 Upgraded locking keep fixed in to the internal beading in four places.

Please note that the Secured By Design window is not standard, it must be requested as part of the window specification.



Secured by Design



Police Preferred Specification





A Window Every Occasion



ow for ccasion



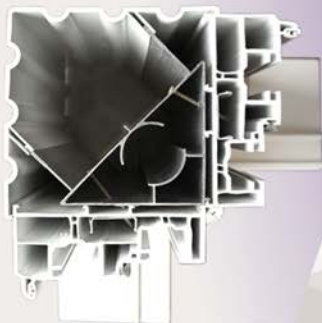
Flags

Got a particularly wide window? Then why not take advantage of our 'flag window' solution? This will enable you to link multiple sliding sash windows together in various formats giving you the opportunity to create something extra special and tailored specifically for you without compromising your visible glass area.



Bays

An elegant, gently curved bow window or an angled bay window can make your home feel bigger and brighter. Our different bay variations can be used to replace existing bow or bay windows and can generally be installed in most properties with an accommodating aperture. Choose from our 90 degree bay options or variable angle bay option to really give your house the kerb appeal it deserves.



Arches

We are proud to offer our arched top sliding sash windows. The epitome of style and a delight to see first-hand, these arched top windows are manufactured bespoke to suit any aperture.

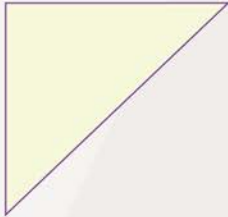




One Window, **Unlimited Choice**

Quickslide's sliding sash windows are available in an array of varying finishes from our standard smooth and wood-grain options to RAL colours and traditional heritage colours like Farrow & Ball. The choice really is endless...

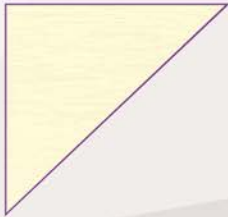
Cream Smooth



White Smooth



Cream Wood Grain



Rosewood Wood Grain



Golden Oak Wood Grain



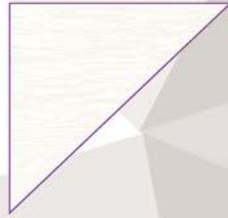
Irish Oak Wood Grain



Black Wood Grain



White Wood Grain



Standard Colours

Available in two smooth and six wood grain finishes. The wood grain finishes can be offered either both sides or external face only with a white smooth interior.

Bespoke Colouring

If you want something extra special then why not take a look at our bespoke colouring options? We offer 'RAL' colours and Farrow & Ball's whole colour range so you can really give your windows that authentic touch. Bespoke colouring is available in smooth and wood grain finishes.

Go online to request your profile sample today



QUICKSLIDE

WINDOWS & DOORS



Premium Collection

20



Oriel Laurel



Oriel Coppice



Oriel Canterbury



Sandblast*



Oriel Brocade

Oriel Glass options are also available in 'textured' finish for increased obscurity



For more information on toughened glass and Acoustic laminate, please visit www.quickslide.co.uk

A Touch of Glass

For those areas where you need a little bit more privacy, choose from our huge range of decorative obscure glass options.

- Available in 15 standard options and a further 9 Premium options there is certainly no lack of choice
- Five levels of privacy are available from '1' (least obscure) to '5' (most obscure)
- Available in both toughened and laminated options for safety and/or security

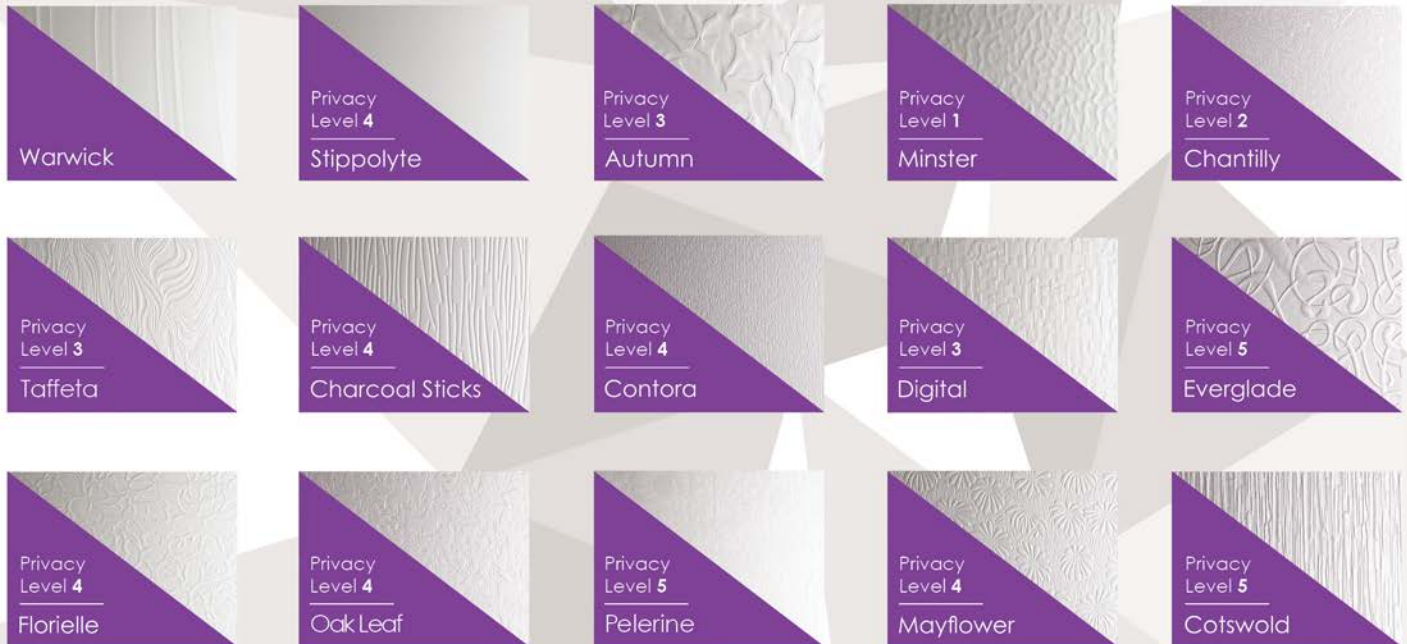
Toughened

Where your windows are located less than 800mm from the internal floor level, this is a mandatory requirement.

Acoustic Laminate

If outside noise is a particular issue why not consider our acoustic laminate glass option? Designed specifically to offer noise reduction and protection for people and property. Laminate glass can also be used for improved security.

Obscure Glass



Glass Accessories

Glazing Bar Options

Through time sash window styles have changed dramatically. From the multiple squares of the 'Georgian era' to the single vertical bar of the 'Victorian period'.

No matter when in history your property dates back to, Quickslide are able to offer a solution. Today's bar options are designed to emulate the style of the period without the need for individual units of glass. This method allows for much more thermally efficient units whilst not compromising on appearance.

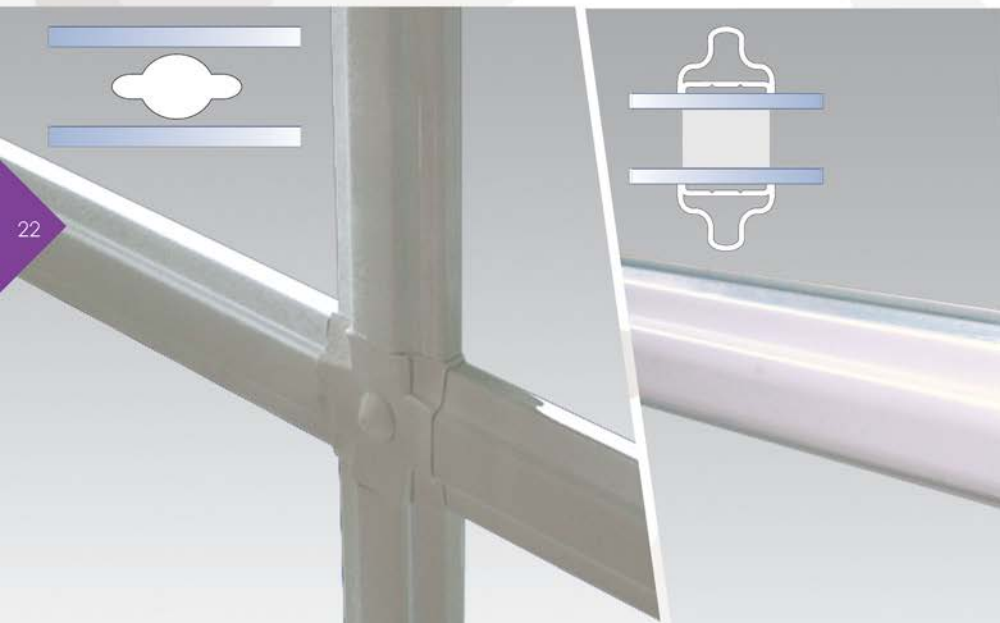
Available in either; authentic Astragal glazing bar which are externally mounted just like real wood, or Internal fret located between the panes of glass for easy cleaning.

Internal Fret

Located inside the glass unit only, available in 18mm and 25mm options.

Astragal Bar

Back-to-back spacer located inside the glass unit. Surface bars applied to the internal and external faces of the glass unit. Available in 20mm and 25mm.*





Spacer Bar Colours

With the sliding sash window having no visible gaskets the white smooth and white wood-grain options look great with a white spacer bar.

Tailor the spacer bar colour around your frame and hardware colour choices to create the perfect overall look.

Grey



White



Black



The **Finishing** Touches

The hardware used on a Quickslide sliding sash window is designed to complement the aesthetics of the window whilst being as sympathetic as possible to the original timber sliding sash windows of old. All window hardware is available in white, gold, chrome or satin chrome.

A

Lift Hooks

Designed to help lift the bottom sash up. These are fitted once the window has been installed.

B

D-Handles

Can be fitted internally or externally to aid in sliding the top sash downwards. Optional and supplied loose, to be fitted after installation.

C

Sash Locks

Securely keeps the top and bottom sashes locked together, supplied as standard on every window. Windows greater than 1000mm wide are fitted with two as standard.

D

Tilt Buttons

Lateral operation to allow the top and bottom sashes to tilt inwards for cleaning.

E

Ring Pulls

Optionally fitted to help pull down the top sash, supplied loose, to be fitted after installation.



F

Trickle Vents

Trickle vents are located in the top sash of the sliding sash window and allow a consistent flow of air or background ventilation in to the property. Trickle vents will help avoid problems associated with poor ventilation in naturally ventilated spaces, including: condensation, over ventilation, and excess drafts.

G

Plant-on Sash Horns

Traditional sash windows feature a sculpted timber section which acts as a stop to prevent the window from being opened too far. This was important to avoid damage to the weights and the sash itself. In PVCu manufacturing there is no requirement for the sash to perform this way, however, to match the elegant design of timber sash window we offer this as an option.

H

Run-Through Sash Horns

In our continuing effort to make our window indistinguishable from the original timber box sash windows, we have developed an alternative decorative sash horn feature. This option replaces the 'plant on' decorative sash horn and actually incorporates the sculptured horn in to the side jamb of the top sash.

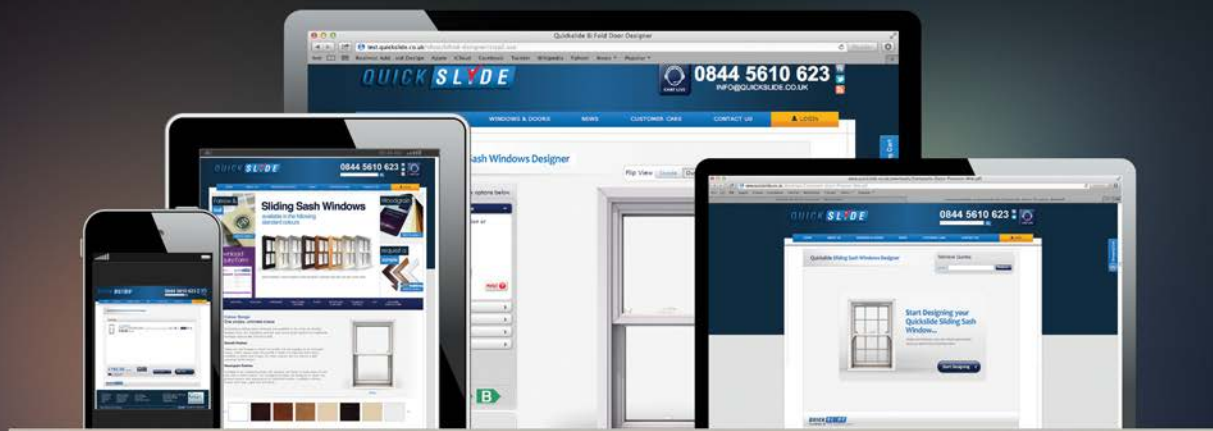
I

Safety Restrictors

The purpose of these safety restrictors is to limit how far the top and bottom sashes slide up and down. Designed for safety; the window cannot open more than 100mm. This function can be over-ridden should you need to fully open the window, however the restrictors are designed to re-engage so that you can never forget to turn them back on.

***All window hardware is available in white, gold, chrome or satin chrome.**

**E****F****G****H**



Use our online **Sash Window Designer** to create your windows and get an instant quote.

Call us on **0844 5610 623**
or visit **www.quickslide.co.uk**



It's not just
about the product.

Customer Service and Support,
when you need it.

QUICK SLIDE



Quickslide Limited

Heaton Estate,
Bradford Road,
Brighouse,
West Yorkshire
HD6 4BW

t: 0844 5610 623

f: 0844 5610 624

e: info@quickslide.co.uk



Sliding Sash Window Price Matrix

Height ▼ Width ►	600mm	700mm	800mm	900mm	1000mm	1100mm	1200mm	1300mm	1400mm	1500mm
1000mm	£192	£222	£227	£233	£240	£246	£251	£258	£270	£282
1150mm	£199	£228	£233	£240	£246	£254	£261	£268	£279	£291
1300mm	£232	£238	£245	£252	£261	£268	£275	£281	£291	£304
1450mm	£238	£245	£252	£261	£268	£276	£284	£290	£302	£314
1600mm	£250	£258	£263	£273	£281	£289	£301	£307	£320	£331
1750mm	£255	£263	£273	£281	£289	£301	£308	£332	£344	£357
1900mm	£268	£276	£286	£296	£307	£313	£324	£350	£361	£384
2050mm	£275	£285	£293	£302	£314	£324	£332	£405	£417	£429
2200mm	£286	£297	£306	£320	£328	£355	£413	£423	£435	£446
2350mm	£293	£302	£313	£325	£355	£413	£423	£434	£445	£457
2500mm	£301	£311	£324	£335	£412	£422	£434	£466	£490	—
2650mm	£321	£330	£344	£355	£431	£443	£454	£478	—	—
2800mm	£340	£350	£365	£375	£452	£462	£474	—	—	—
2950mm	£360	£369	£389	£394	£472	£482	£493	—	—	—

Note: Price includes glass
All prices exclude VAT

QUICK SLIDE

Standard Colours



Price

- ▶ White Standard
- ▶ Cream + 15%
- ▶ Wood Grain + 25%

Obscure Glass



Price

- ▶ Obscure Glass +£5 m²



PILKINGTON
NSG Group Flat Glass Business

Accessories



- ▶ Internal Fret White £20
- ▶ Internal Fret Cream, Cream Wood Grain, Black Wood Grain £35
- ▶ Internal Fret Golden Oak, Rosewood, Irish Oak £25
- ▶ Astragal Bar White, Cream £30
- ▶ Astragal Bar Wood Grain £35
- ▶ Single Internal Fret White (per sash) £6
- ▶ Single Internal Fret Cream, Cream Wood Grain, Black Wood Grain (per sash) ... £10
- ▶ Single Internal Fret Golden Oak, Rosewood, Irish Oak (per sash) £6
- ▶ Single Astragal Bar White (per sash) £6
- ▶ Single Astragal Bar Cream, Cream Wood Grain, Black Wood Grain (per sash) . £10
- ▶ Single Astragal Bar Golden Oak, Rosewood, Irish Oak (per sash) £6
- ▶ Plant-on Horns (per pair) £8
- ▶ Run Through Horns (per pair) £33
- ▶ Trickle Vents £10
- ▶ Sash Restrictors (per pair) £15
- ▶ Secured by Design £33

Bespoke Ral Colours



Price

- ▶ External Only £100
- ▶ External and Internal £130

Glass

Price m²



- ▶ B Rated Standard
- ▶ A Rated (1.5) £15
- ▶ A+ Rated £25
- ▶ Acoustic Laminate £55
- ▶ Toughened Glass (Clear) £18

Hardware Colour



D-Handles Lift Hooks Sash Locks Tilt Buttons Ring Pulls

Price

- ▶ White Standard
- ▶ Gold, Chrome or Satin Chrome Fittings £8

Premium Collection



Price

- ▶ Oriel Collection .. £100
- ▶ Sandblast Glass £50